

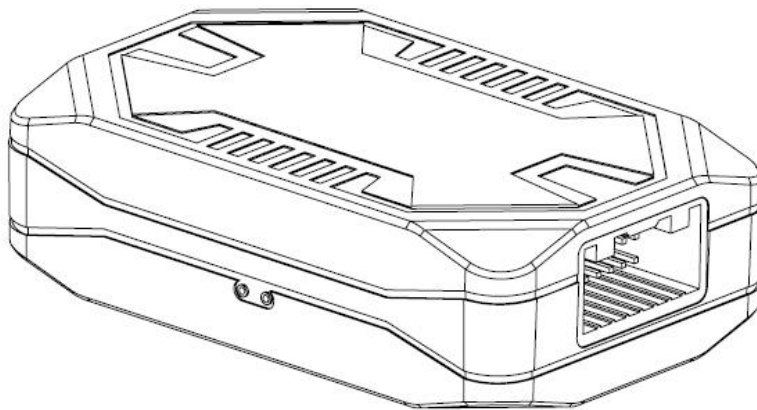
Manual number: SPKG-01  
Document No.: BSJ—S0077  
Version: A/1  
Date: 2018.7.25

## **Vehicle terminal device**

### **Product User Manual**

**Product Name:4G LTE vehicle positioning terminal**

**Product model: KG-01**



## Content

I. Product composition.....	1
1.1 Product overview.....	1
1.2 Product picture.....	1
1.3 Product configuration list.....	2
1.3.1 Standard list.....	2
1.3.2 Optional List.....	2
1.4 Device wiring diagram.....	2
1.5 Definition Of Product Indicator.....	3
II. Parameters Of Device And Function Instructions.....	4
2.1 Parameter List Of The Device.....	4
2.2 Function List Of The Device.....	5
2.3 Installation Process Of Product.....	5
III. Analysis of Common Problems and After-sales Service.....	6
3.1 Analysis Of Common Problems.....	6
3.2 Attention.....	7
3.3 After-sale service.....	7

# I. Product composition

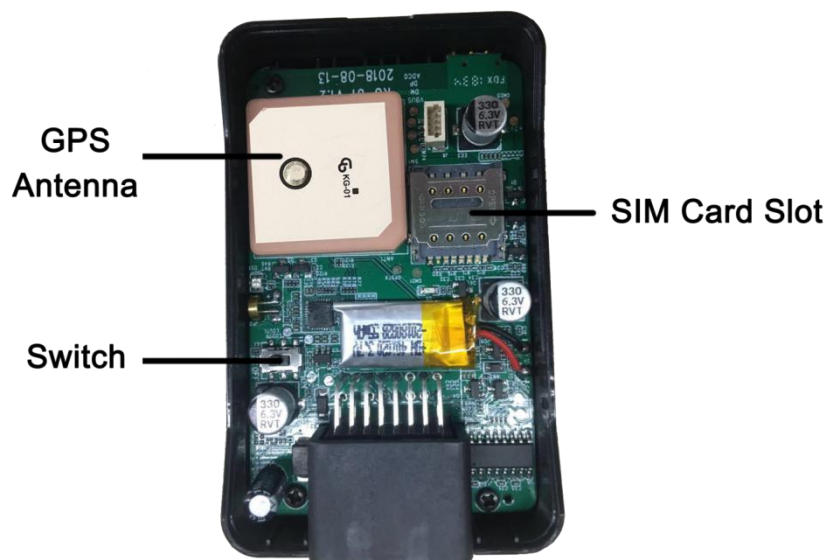
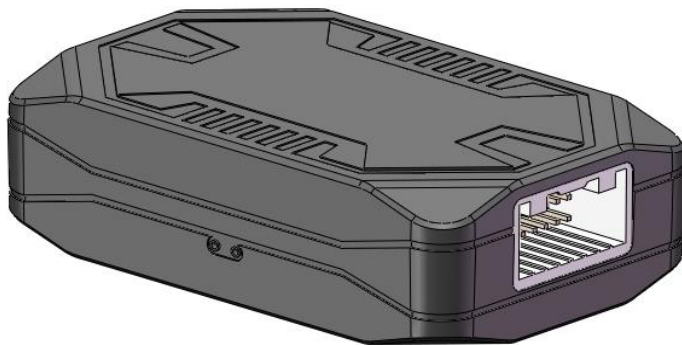
## 1.1 Product overview

Product Name: LTE 4G vehicle positioning terminal

Product model: KG-01

Product specifications: L80\*W50\*H23MM

## 1.2 Product picture



## 1.3 Product configuration list

### 1.3.1 Standard list

No	Name	Quantity	Unit	Remark
1	KG-01 host	1	PC	
2	User manual、 warranty card、 certification	1	PC	Three in one
3	Package box	1	PC	
4	Power cable	1	PC	

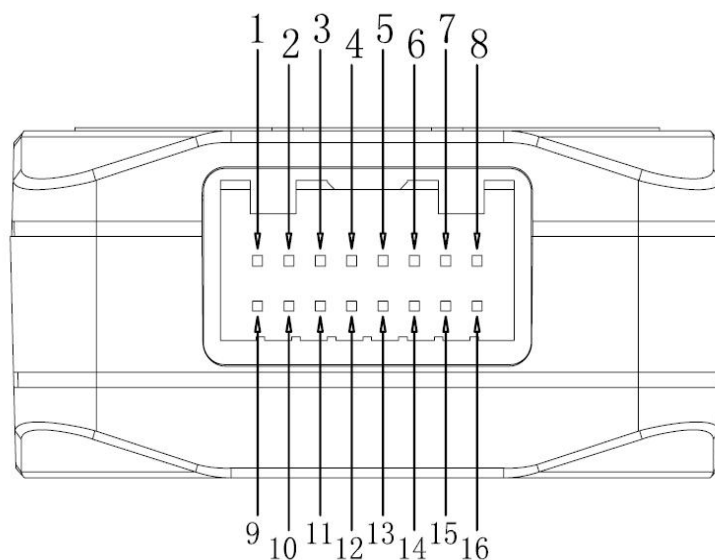
Note: The above is a standard configuration list of the whole set of products, and accessories outside the above range are subject to additional fees.

### 1.3.2 Optional List

No	Name	Remark
1	Camera	Take photo
2	Relay	Cut off fuel
3	Fuel sensor	Fuel consumption
4	Emergency SOS Button	SOS Alarm
5	Temperature Box	Detect temperature
6	Velcro	

Note: Confirm with factory, different requirement have different accessories, need to Extra charge

## 1.4 Device wiring diagram



<b>Pin</b>	<b>Color</b>	<b>Definition</b>	<b>Pin</b>	<b>Color</b>	<b>Definition</b>
1	Red (thick)	Power +	9	Black (thick)	Power GND
2	Red and green	Custom low sensing	10	Blank	Blank
3	Yellow and black	Custom high sensing	11	Blank	Blank
4	Red and white	SOS	12	Purple and white	Fuel 2-
5	Blank	Blank	13	Purple	Fuel 1-
6	Blank	Blank	14	Black 1(slim)	Serial port GND
7	Yellow	Serial port TX	15	Black (slim)	ACC
8	Green	Serial port RX	16	Red (slim)	Serial port+5V

## 1.5 Definition Of Product Indicator

Indicator	GSM (Red)	Flash fast: GSM is in initialization
		Flash slowly: GSM signals is normal
		Bright always: GPRS On Line
		Not Light: Not yet received the GSM signal/Not Insert Sim Card
	GPS (Yellow)	Fast Flash: Searching GPS signal
		Bright always: GPS has been positioning
Not Light: GPS is in dormancy/Not working		

## II. Parameters Of Device And Function Instructions

### 2.1 Parameter List Of The Device

No	Item	Specifications	Remark
1	Material	Plastic	
2	Working Voltage	DC 9V - 36 V	
3	Working Current	50-80mA@12V(static current 30mA)	
4	Standby Battery	0.5 minutes (3.7V /55mAh lithium battery)	
5	Positioning accuracy	<10 Meters (This data is for reference only, and the positioning accuracy is related to factors such as the terrain and time of the vehicle)	Test Data
6	Size	L80mm*W50mm*H23mm	
7	Positioning way	GPS	
8	Working Temperature	-25°C+75°C	
9	Storage Temperature	-40°C+85°C	
11	Communication Network	LTE FDD: Band 1, 3, 5, 7, 8, 20, 28 LTE TDD: Band 38,40,41 WCDMA: Band 1, 5, 8 GSM:Band 3, 5, 8 (850/900/1800MHZ)	
12	Net Weight	62.5g	
13	Gross weight	190g	
14	Communication ways	TCP	
15	Warranty	1 year	
16	OEM&ODM Service	Provided	

## 2.2 Function List Of The Device

Function	Description
Real-time tracking	Upload the longitude and latitude information according to the time interval.
ACC on/off status	Uploaded data include the ACC on/off status each time
Power down alarm	Turn on backup battery, when the vehicle voltage is lower than 5v, the device upload a alarm to the server
Over speed alarm	Set the maximum speed limit value on the platform or SMS, when the GPS speed is more than the value, the device will upload a alarm to the server
Fuel checking	Cut off/supply fuel remotely through server or SMS
Parking timeout alarm	Set the maximum parking time through the platform or SMS command. When the speed is 0 and the duration is longer than the set maximum parking time, report the parking timeout alarm.
SOS Alarm	Press the SOS emergency switch for 1s and the device upload the SOS alarm to the server.
Blind area uploading data	The data is stored up to 300pcs. if the terminal is located and not online, upload this data when the signal is good
Inflection upload	When the angle of the vehicle turns is more than a certain angle, the device will upload a position information to the platform to optimize the trajectory.
Upgrade remotely	Need assistance of factory
Static mode	The 3D triaxial acceleration sensor detects vibration status of vehicle in real time, when the car is moving, the device is in motion mode; the device will change to static mode after 5 minutes without vibration, close the GPS module, when vibration is detected, the device automatically changes to motion mode.
SMS command to get location	Send “where” through SMS or platform to get latitude and longitude, current time, speed, direction, current voltage value, ACC status, Google Maps link

## 2.3 Installation Process Of Product

### 2.3.1 Installation

#### Check Device

Check whether the appearance of the device is good and whether the related accessories are complete.

#### Install SIM card

Open the device SIM card into the card slot. Please avoid overexertion is damaged, please make sure that a SIM card with Internet access, only at the same time satisfy the electricity and

insert SIM card terminal can work normally.

**The position requirements of terminal installation**

A. **Waterproof:** choose place which is not easy to fill the position, kept terminal dry, pay attention to be far away from the air-conditioning outlet in case of the changes of temperature. Have condensed water accumulated inside the terminal seriously affect the service life of the product.

B. **Shock:** terminal can't hang up installed in strong vibration position for a long time.

C. **Tamper-proof:** terminal should be away from the car video intercom and electronic equipment, such as to prevent conduction and radiation.

**2.3.2 SMS Setting format**

**Exactly format:**

**Set IP Online:**

<SPBSJ\*P:BSJGPS\*T:120.025.232.237,7788\*A:CMNET\*N:13288888888\*C:0030>

**SPBSJ:** Header

**P:** Password (Default Password: BSJGPS)

**T:** TCP IP and Port

**A:** APN

**N:** Device Number

**C:** Time Interval (Seconds)

**III. Analysis of Common Problems and After-sales Service**

**3.1 Analysis Of Common Problems**

Question	Reason	Solution
Online tracking offline	SIM card not enough credit	Charge credit or change
	SIM card contact problem	Install SIM card again or change
	Online tracking parameter setting error	Reset Parameters with correct format according to user manual
	Vehicle in underground car parks or tunnels, signal weak.	Go to good signal area
Cannot positioning	Vehicle in underground car parks or tunnels	Leave that area
	GPS Antenna side is not up to sky	Make the GPS antenna side up to sky



## **3.2 Attention**

1. Electronic product please note waterproof.
2. Please keep the backup battery is enough.
3. When the temperature of the environment is more than the normal work of the terminal temperature range, advice without electricity.
4. When the vehicle in an underground parking lot, tunnel or garage, will influence the positioning signal. And possible communication network signal blind area lead to equipment can't monitor; after the vehicle out of the above areas, equipment will automatically return to normal work.
5. In abnormal situation, please do not repair itself. By linking the original attachment or unplug the connection between the various components damage, manufacturer is not liable.

## **3.3 After-sale service**

1. During the one-year warranty, please feel free to contact us if there is any problem or damage not caused by human factors.
2. Not maintenance:
  - (1) Client dismantled privately
  - (2) Force majeure (floods, accidents, etc.)
3. More than one year damage or faulty maintenance will need to pay for raw material.
4. Free to provide customers with the purchase, use, installation and other consultation and technical services.